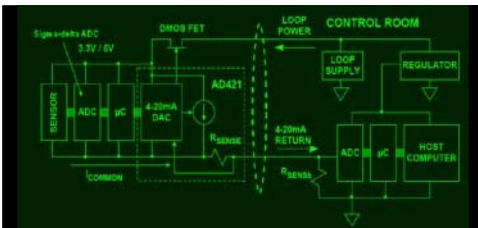
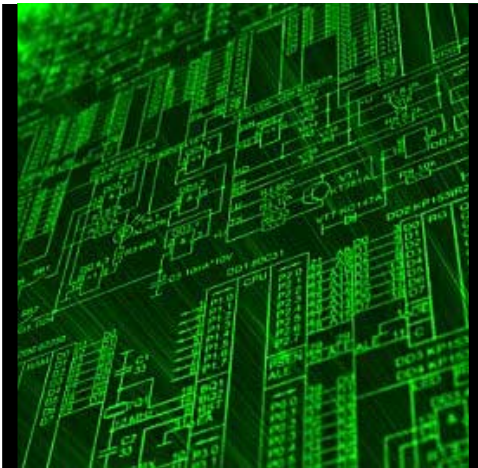


Electronic Circuit Schematics Design Services

PF-EDN

Rev. 1.00



PRAF Microcomputer Technologies is a company specialized on design and development of electronic and embedded computer systems for different fields, as industrial automation and control, medical electronics, communication, security and defense.

In addition to the embedded and system software design and engineering, the company provides electronic circuit schematics design, PCB layout design, electronic and principle mechanic engineering services, for enterprises involved in the computer and electronic industries, and for organizations applying the computer and electronic technologies.

R&D team of PRAFTEC consists of well educated and qualified group of professionals those have the deep fundamental knowledge and practical skills, the strong experience both in computer programming and in electronic engineering.

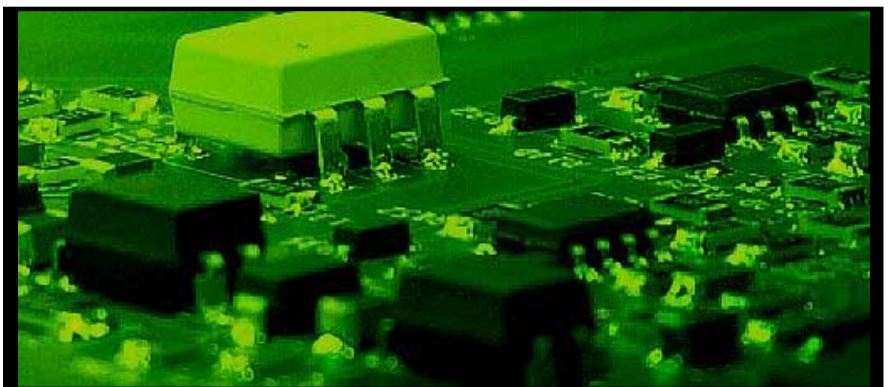
Electronic Circuit Schematics Design & Side Services

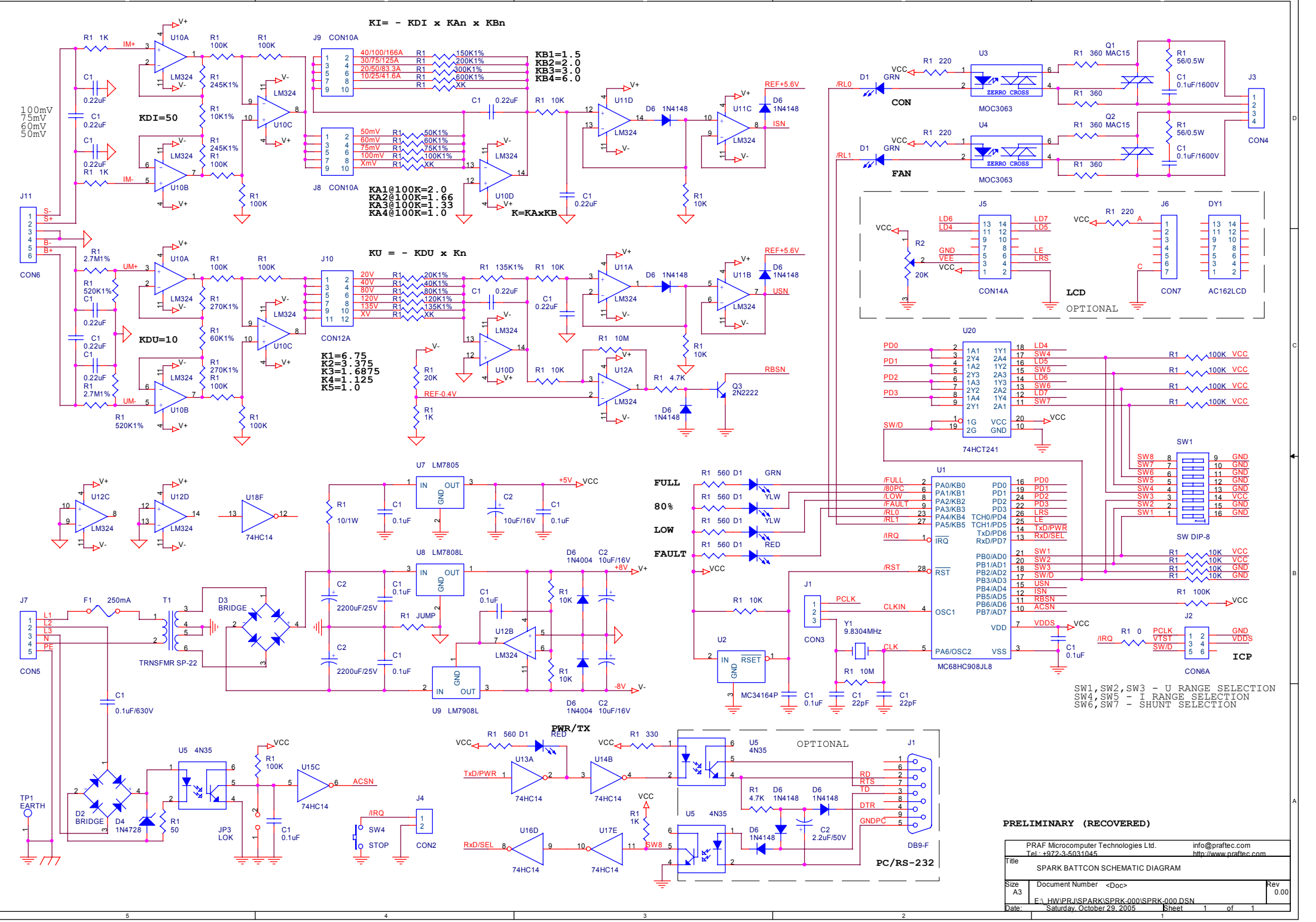
- Electronic & hardware requirements definitions, and specifications writing
- Analog signal, basically instrumental and power amplifiers schematics design
- Digital, discrete logic circuits, PAL/GAL/EPLD/CPLD/FPGA code design
- 8/16bit Microcontrollers, High Speed 32bit CPU & DSP based schematics design
- Space & EMI noise optimal component placement, multi-layer PCB layout design
- Electronic Circuits manual & machined prototyping, which is always very useful even for any simple circuit designs
- Principle mechanic & electronic packaging design, mechanical drawings & sketches
- Electronic Engineering, logistic and production documentation preparation
- QA testing, after assembly pre-post sale electronic adjusting, testing & repairing
- Low & medium integration levels electronic circuit reverse engineering, including accurate schematics, netlist and BOM on exit, faults & OEM design gaps reports

Products and Applications of Interest and Experience

- Industrial command & logic control systems, industrial automation
- Discrete & linear control systems in the classic & in the computerized execution
- Missile & UAV/UAS, flight & action Real Time control, targeting systems
- Security, GPS & GLONASS global positioning and location systems
- Gyroscopic compass, gyroscopic object autonomic orientation & motion control systems
- Hydraulic power and servo valve control systems and amplifiers
- Velocity & servo special motors control, micro-motor drives controllers & gears
- Machine & Application Specific Controls for Food & Beverage, Packaging, Print, Paper, Wood, Metal, Plastic, Rubber and for other industries & fields
- Medical, Biotechnology, Applied Mathematic, Physics & Chemistry, Optical & Acoustic Spectrometry, Meteorology, Seismography, other scientific applications
- Video, Image analog & digital processing, fast signals digital processing
- Special purpose temperature measurement & control systems
- Water treatment, distribution & irrigation controls & SCADA systems
- Electric Power Stations, power distribution & lighting controls & SCADA systems
- Wired & Cellular Telephony, Industrial Networking, ARCNET, SERCOS, BACnet, Modbus,...
- Metrology, special purpose Instrumentation & Measurement Systems
- Development, production, repair & maintenance tools as HW/SW test benches, special in-circuit & mass programmers, debuggers, adapters, etc.

A few schematics & drawings samples are presented on the next pages



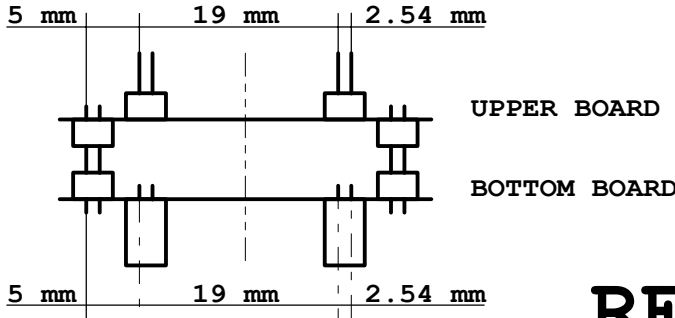
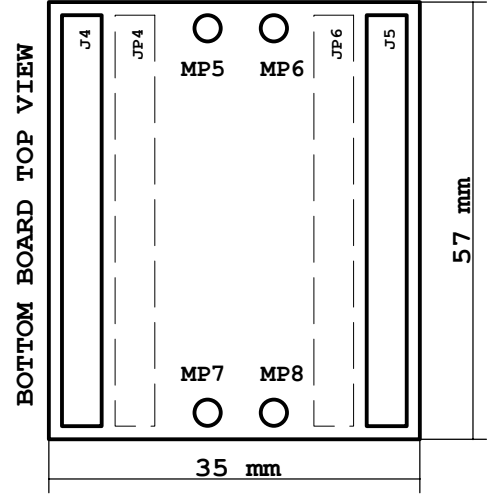
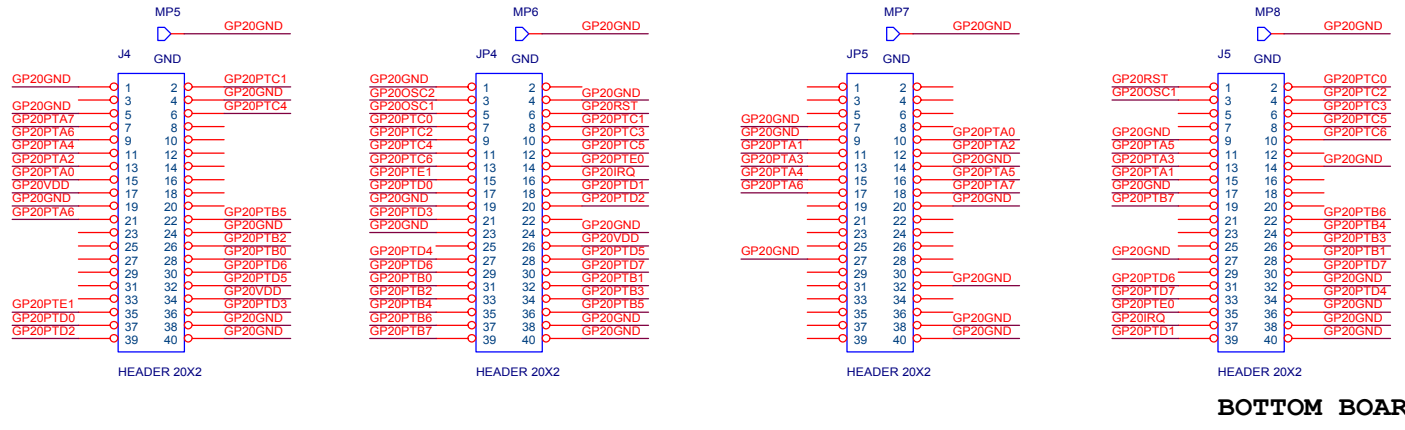
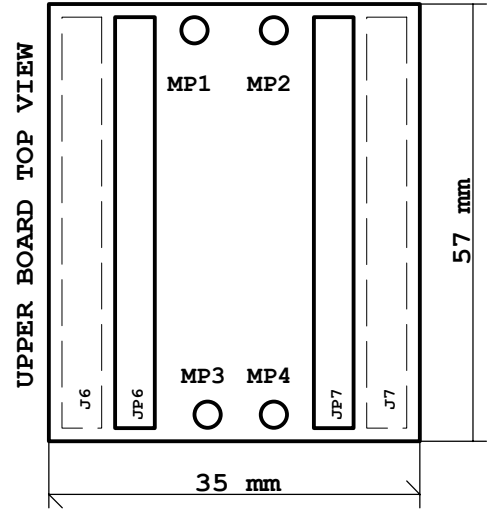
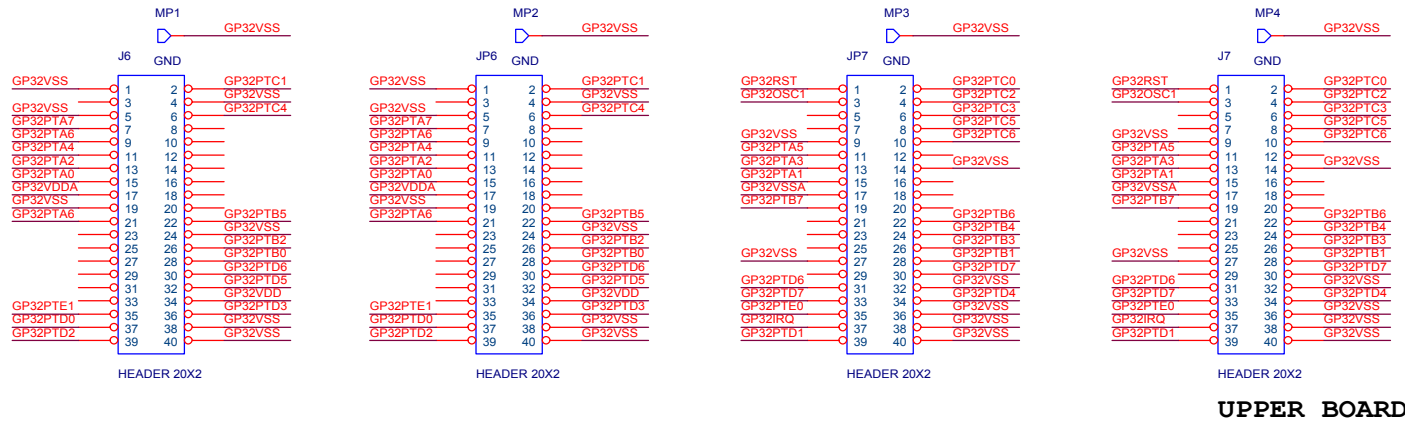


PRELIMINARY (RECOVERED)

PRAF Microcomputer Technologies Ltd. info@praftec.com
 Tel: +972-3-5031045 http://www.praftec.com

Title: SPARK BATTCON SCHEMATIC DIAGRAM

Size: A3	Document Number: <Doc>	Rev: 0.00
Date: Saturday, October 29, 2005 Sheet 1 of 1		



REF. NAME: GP2032A

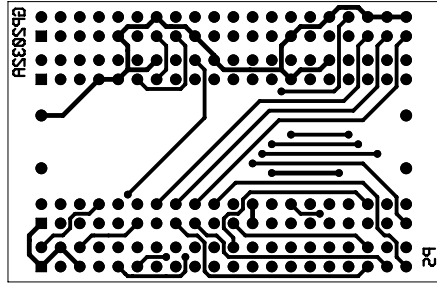
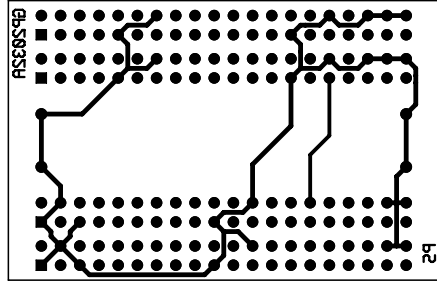
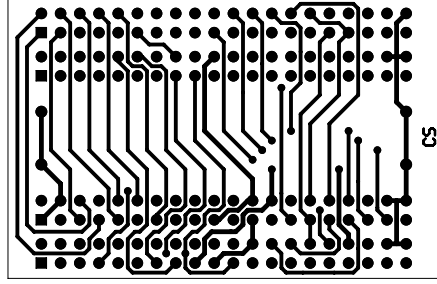
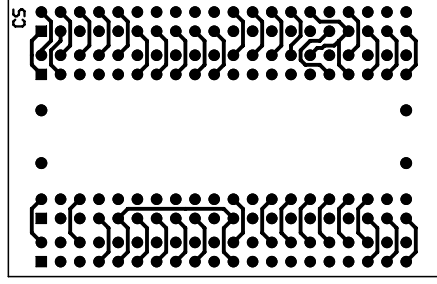
Micky! Please handle this until I have came. Thank you.

PRINT ON SILK SCREEN LAYER "PRAF ILYYMM"
 PRINT ON SILK SCREEN LAYER "EMLGP20GP32TA Rev. A"
 PRINT ON SILK SCREEN LAYER "old_dnepr"
 PRINT ON CS/PS LAYER "GP2032A"

PRAF Microcomputer Technologies Ltd. 58171 Holon, P.O.B. 7209, Israel E-mail: info@praftec.com		
Title	EMLGP20GP32 TARGET CABLE ADAPTER SCHEMATIC DIAGRAM CONFIDENTIAL COMPANY PROPERTY	
Size	A3	Rev A
Date:	E:\HWPRJ\TOOLS\GP2032A\GP2032A.DSN Tuesday, February 18, 2003 Sheet 1 of 1	

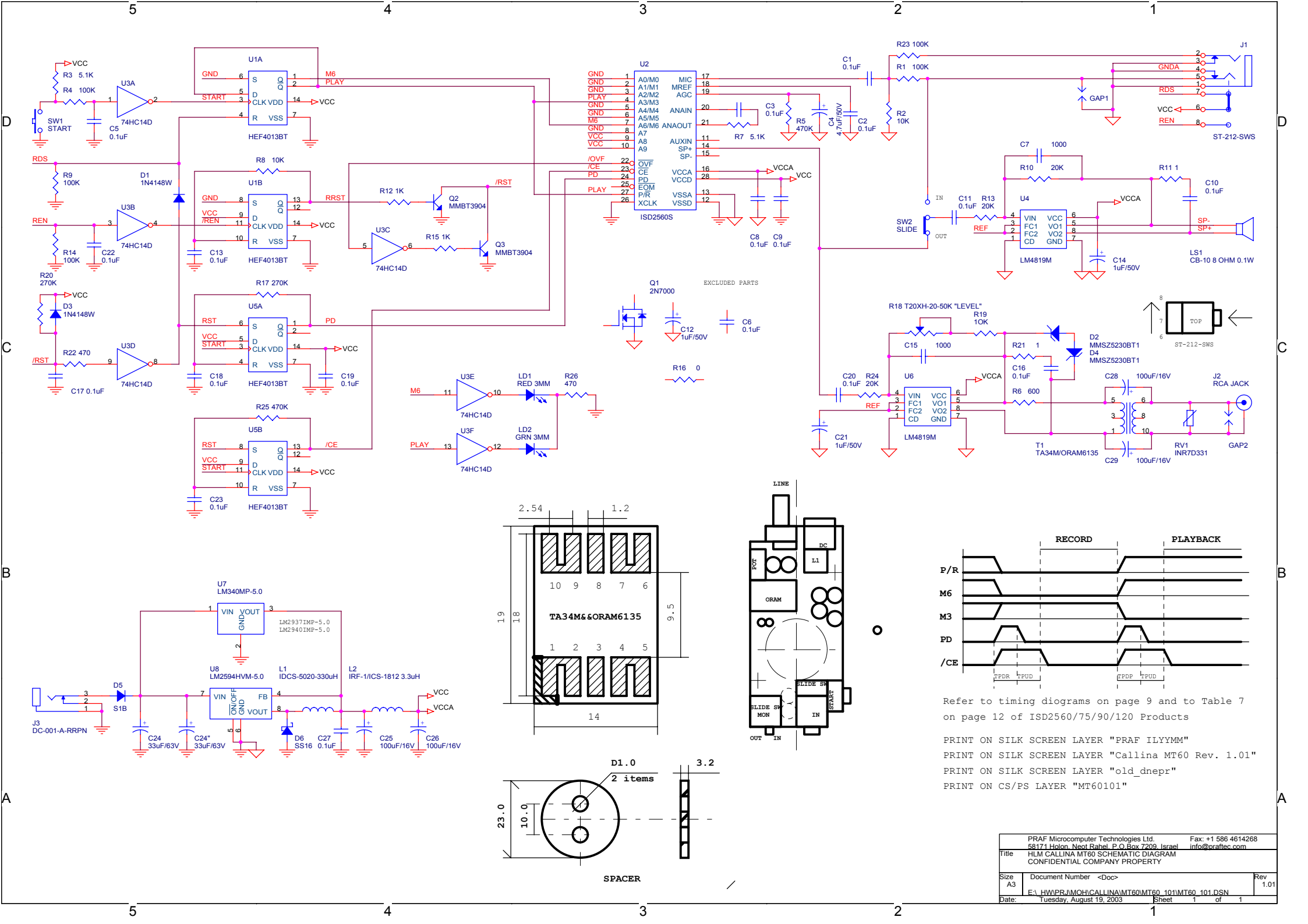
✦ PRO DESIGN [Ø]

✦ PRO DESIGN [Ø]

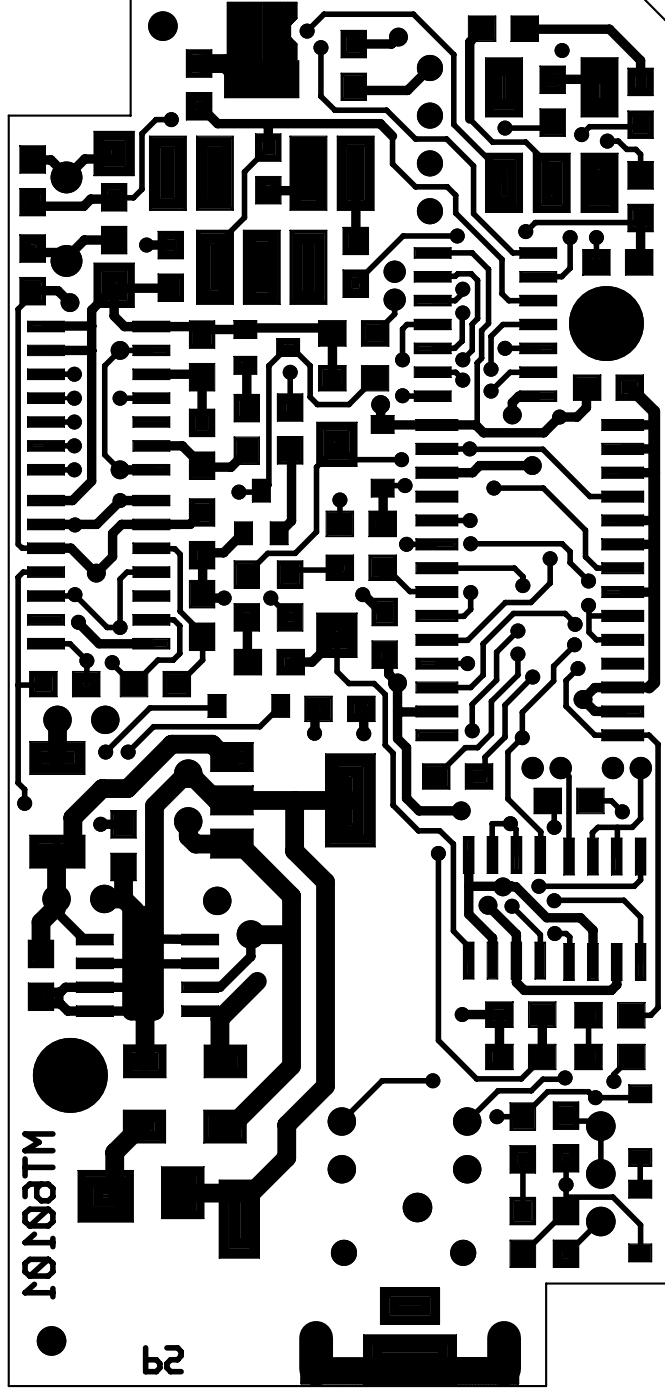


✦ PRINT SIDE (1.00 07:04:103 GP2032A) ✦

✦ COMPONENT SIDE (1.00 07:04:103 GP2032A) ✦



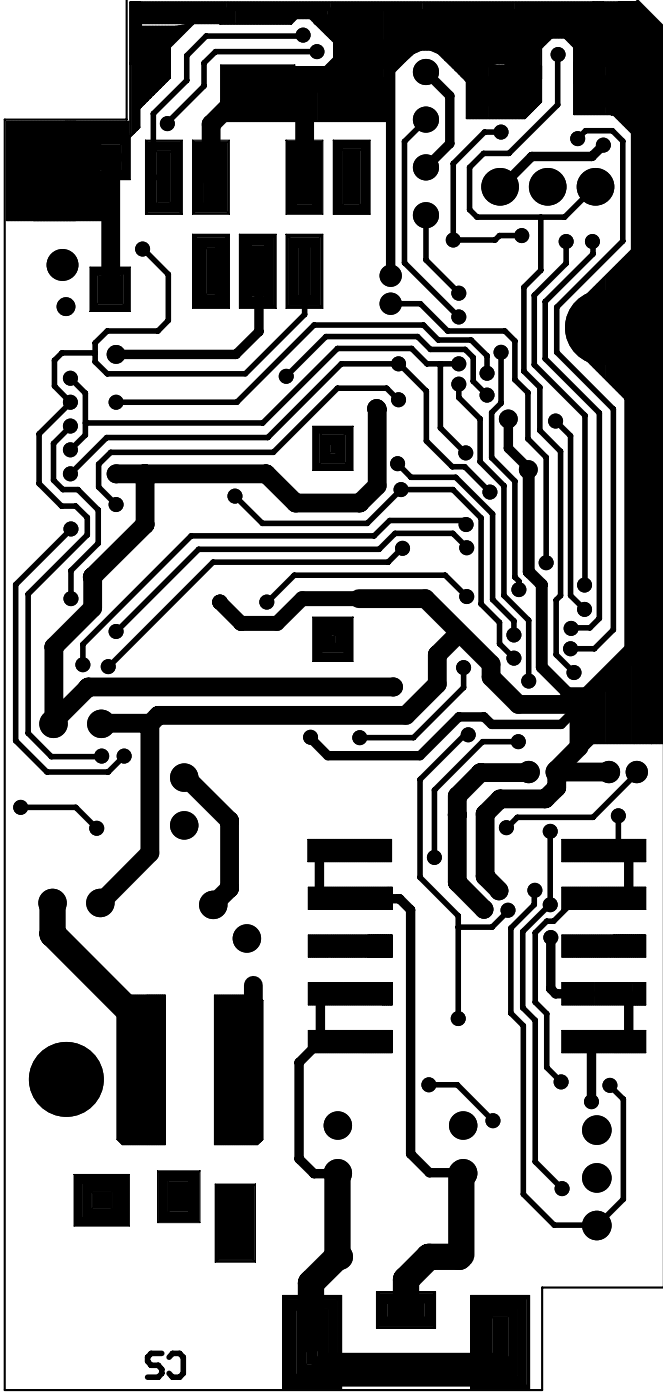
✦ PRO DESIGN [0] ✦



✦ Print Side (2.49 08:04:103 MT60101) ✦



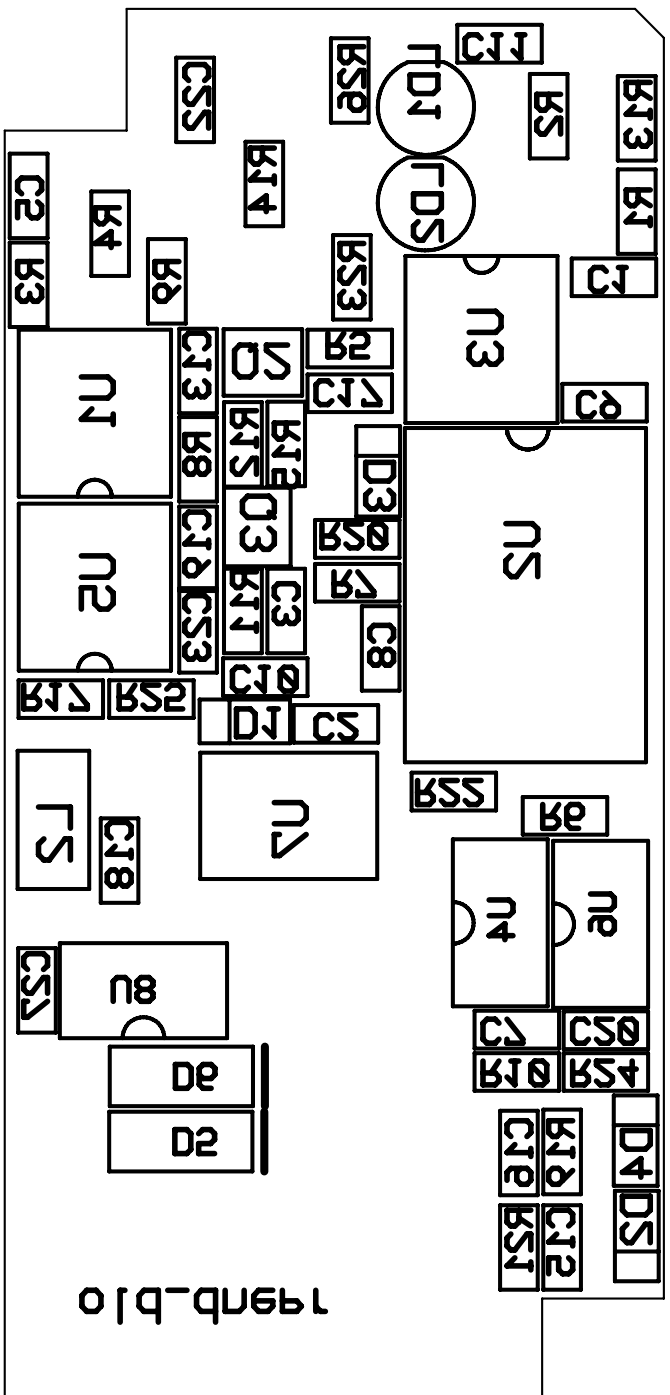
PRO DESIGN [Ø]



COMP Side (2.49 08:04:103 MT60101)

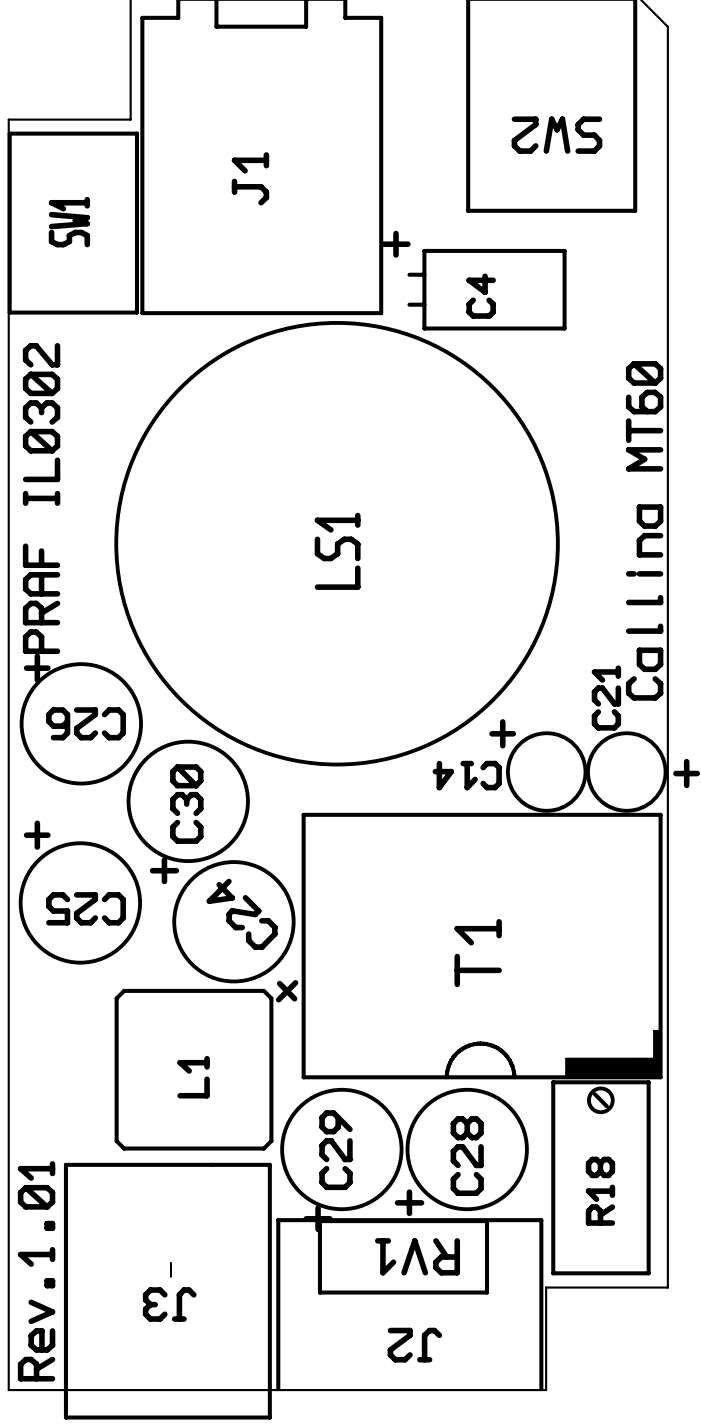


PRO DESIGN [0]



Silk PS (2.49 08:04:103 MT60101)

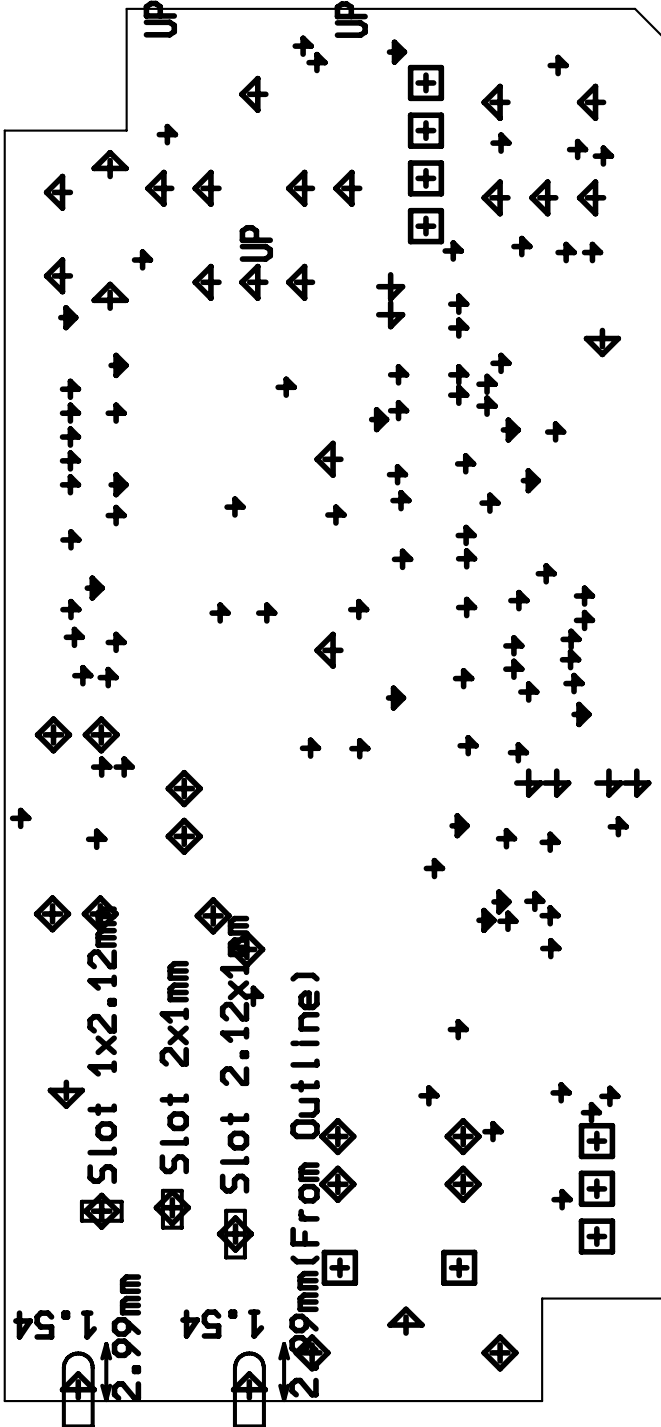
PRO DESIGN [0]



Silk CS (2.49 08:04:103 MT60101)

PRO DESIGN [Ø]

THK 1.2mm



Drill (2.49 08:04:103 MT60101)

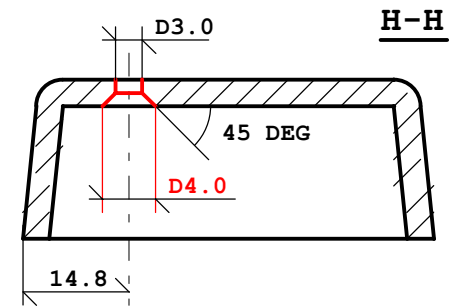
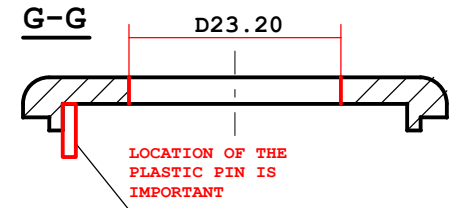
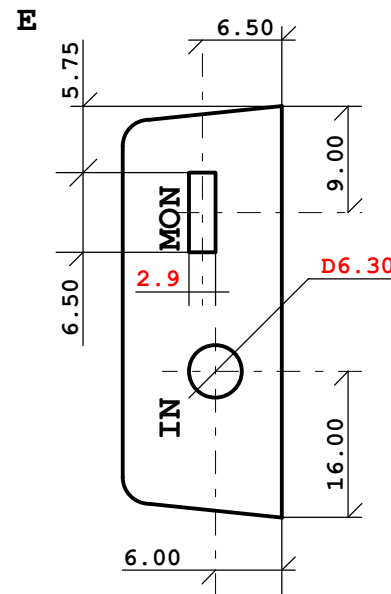
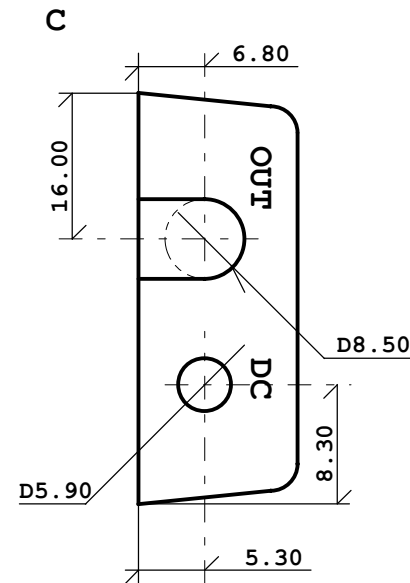
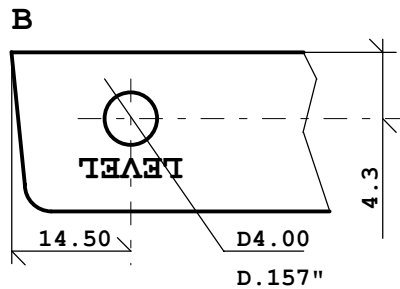
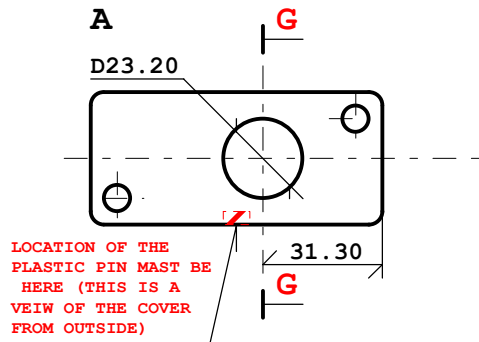
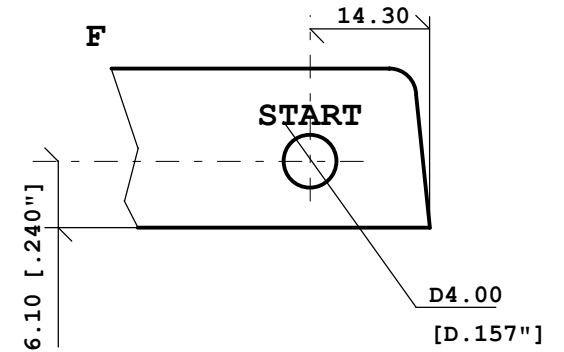
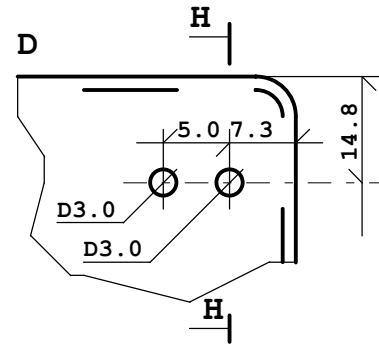
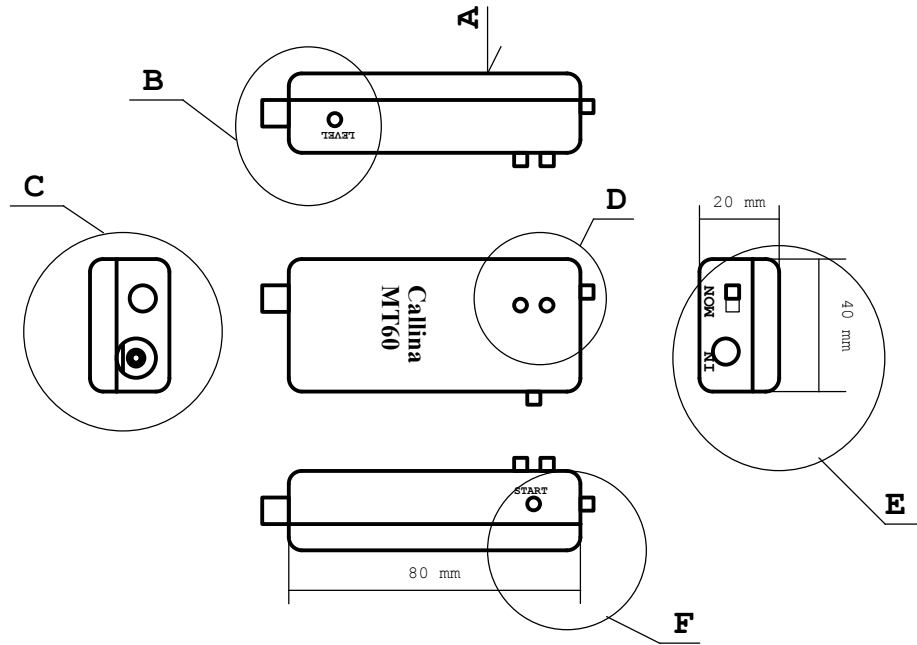
46455108
.:.:.:.:.:
00201110
+ + + + + + + + +



Rev. 1.03

NOT SCALE DRAWING

ALL DIMENSIONS ARE GIVEN IN MM IF NOT SPECIFIED



PRAF Microcomputer Technologies Ltd. Fax: +1 586 4614268		58171 Holon, Neot Rabot, P.O. Box 7209, Israel info@praftec.com	
Title CALLINA MT60 MODULE CABINET DIMENSIONS			
CONFIDENTIAL COMPANY PROPERTY			
Size A3	Document Number <Doc>	Rev 1.03	
Date: Tuesday, August 19, 2003	Sheet 7	of 7	